

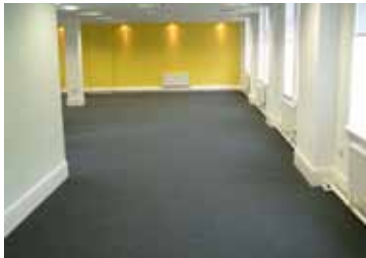
CONVERTING, EXTRUSION and PAPER INDUSTRIES



**ACCURATE AND RELIABLE
ON LINE WEB GAUGING SOLUTION**



Measurement
Coat weight
Coat thickness
Glue thickness
Moisture



CONVERTING, EXTRUSION, PAPER PROCESSING

COATING, THICKNESS AND MOISTURE ON-LINE MEASUREMENT

Coating quality has become a critical issue in a wide range of paper converting, extrusion, laminating and other web coating industries. Successful web converting manufacturing depends on producing quality production efficiently.

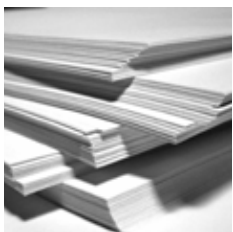
EDIT NIR coating, moisture and thickness analyser can improve quality and reduce cost by providing a real time coat weight, coat thickness or moisture measurement.

Indeed, based on the application engineering of several thousand accurate and reliable web gauging solutions commissioned worldwide for more than 30 years, **EDIT** has the experience to meet the specific converting industry requirement.

Our quality insurance program ensures accurate line speed charges for example, on-line processing control, whatever the converting product or processing variations, to optimize the laminating and extrusion applications.

By doing these control and measurement on-line with our **EDIT NIR** gauge, the converting industry will:

- Improve the process efficiency
- Reduce scrap
- Optimize the coat weight



PAPER INDUSTRY

- H₂O measurement on cigarette paper
- H₂O measurement on coffee paper
- H₂O measurement on web paper converting
- Coating or glue thickness measurement on paper

H₂O measurement example

Paper is used in a wide variety of applications.

In many industrial processes, the paper is used as a base material for other products like label sheets, or pre-printed paper. In all these products, control of the moisture content is essential for its quality.

Poor moisture control will lead to curling and tubing effects in the paper making it useless for further use in production.



EDIT NIR moisture gauges guarantee a good quality product, optimize the process and reduce production cost by providing a fast real-time, on line moisture measurement.

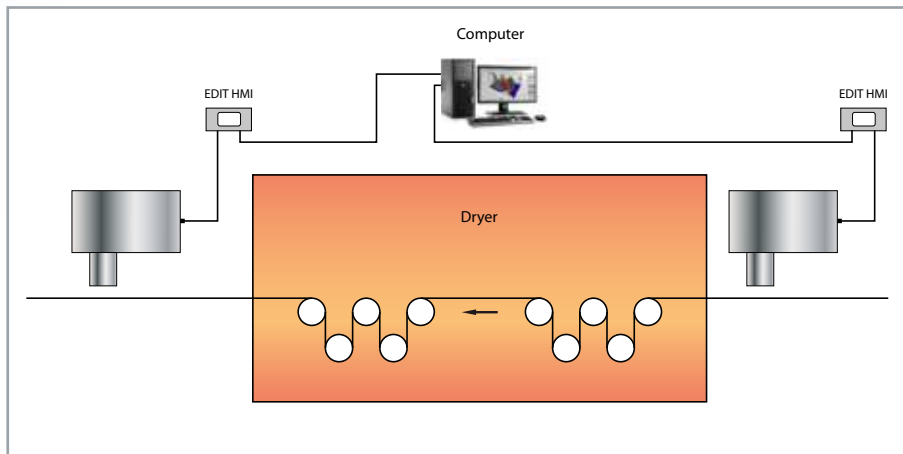
The accurate and reliable measurement provided by our instruments are essential for closed-loop control – Typical on-line accuracy is +/- 0,1 % and better.

In other applications, the sensors are used to control the process of re-moisturizing of the paper at the dryer exit and behind the re-moisturiser.

The **EDIT NIR** gauges, can be used at the wet side (up to 99% of moisture) of the paper machine as well as on the dry side.



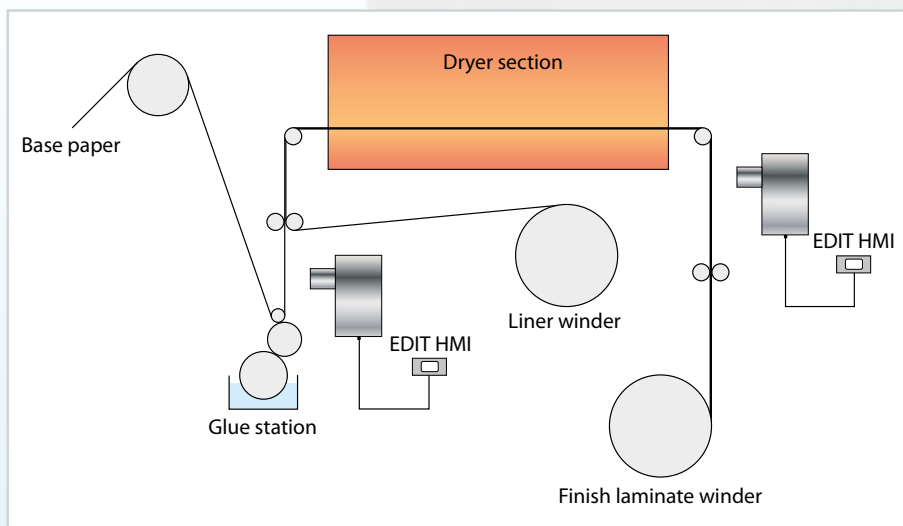
- Cigarette paper
- Banknote paper
- Standard paper
- Coffee paper



Coat weight or glue thickness measurement example

EDIT NIR coating measurement gauges control coat weight or coat thickness for different organic and wet coating solutions, such as aqueous coating or glue, solvent based coating and hot melt coatings processing.

This is essential for the close-loop control to improve quality, which means both the exact thickness and uniformity of the coating.



A wide range of coating process paper film and foil converting industries require on-line coating measurement to:

- Control the right coat weight
- Guarantee the paper film has been fully coated
- Analyse the coat thickness



LABELSTOCK AND TAPES MATERIAL

- Moisture and coat weight measurement

EDIT NIR gauges range provide a perfect solution for the labelstock and tapes industries to control their quality issues in production.

Quality control throughout the process can be done:

- on facing and backing paper for moisture measurement
- on adhesive for coating measurement
- on silicone release for coat weight measurement



ADHESIVE

- On-line coat weight measurement



NONWOVEN AND TEXTILE INDUSTRIES

- Moisture measurement on nonwoven industries
- Moisture measurement on textile and fibre blend

Because the nonwoven industries are dependant on high quality production control, **EDIT NIR** coating and moisture measurement gauges can be used by many stage in the process, no matter what the product, to ensure that product quality, process yield and profitability are maximised.



FILM

- Blown film thickness measurement on double face after the collapse
- Cast film thickness measurement
- Thickness measurement on extrusion film



FLEXIBLE PACKAGING

- H₂O measurement on base materials
- Thickness polymer coating measurement



FLOORING MATERIAL

- Coat weight measurement and coat thickness measurement

As for many converting industries, flooring manufacturers need to control the flooring thickness and flooring coat weight measurement at different stages of the process, to produce high quality products and to maintain the same dimensions.



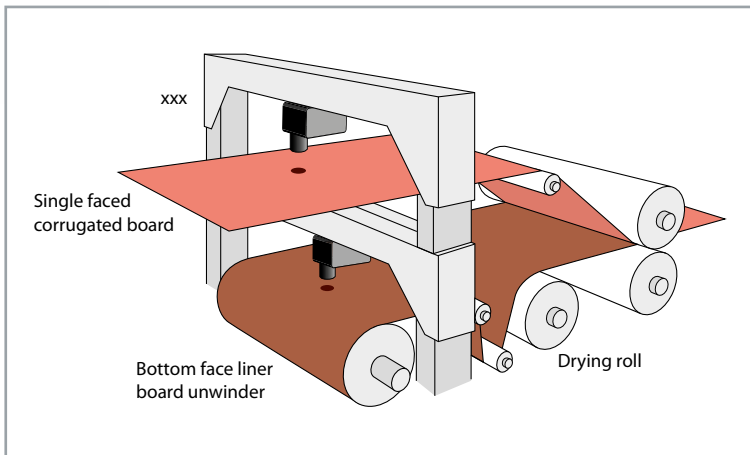
CORRUGATED BOARD

- H₂O measurement on both faces of corrugated board

The moisture content of paper used for liner-board on corrugated medium affects many aspects of the corrugated board quality, including board warp, glue adhesion and printability.

Control of the moisture in both faces of the corrugated board can yield significant improvements in the final board quality. **EDIT NIR** web gauging are ideally suited for on-line measurement of moisture in corrugated board production, and can reliably and accurately measure moisture to within +/- 0,1 % accuracy on line.

Mounted on a traversing frame, the **EDIT NIR** gauges can scan across the paper web to obtain cross-web moisture profiles and allow detection of wet or dry streaks in the paper.



The **EDIT NIR** coating and moisture measurement gauges can be mounted on a fixed point or as scanning system with a travelling device, to provide:

- better profitability
- higher productivity
- reduction in start-up time
- product uniformity improvement
- a decrease in waste
- higher yields
- raw material saving
- higher quality

EDIT products are distributed worldwide by an EDIT exclusive REP and subsidiaries network. To find out the one able to help with your measurement project, please visit our website or contact us.

To know more about our EDIT NIR coating and H₂O measurement sensor, please ask for our technical leaflet and manual.

MAIN COATING MATERIAL FEASIBILITY CLASSES

Coating	Coating technology	Typical coating Thickness measurement
Plastic coating	Powder pulverisation + heating Immersion in Fluidised beds, Bonding sheet, Coextrusion...	Some terms of μm Up to some Hundred of μm
Paints and Varnishes, Glue / adhesives	Roll-coating	=15 μm to the Starter coating to 25-30 μm for the layer of paint
Thin coating (thin organic Coatings, Chromates...)	Roll coating or Immersion coating Concentration + solvent	Some μm to some 10 of μm for the Film, much thinner For dry coating

- Paper
- Corrugated board
- Film and foil
- Flexible packaging
- Flooring material
- Labelstock and tapes
- Adhesive calendering
- Film extrusion
- Nonwoven and textile



Polymer film application



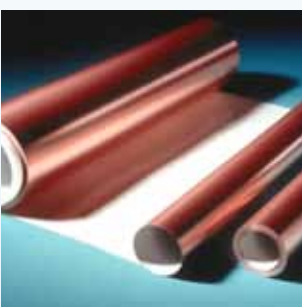
- Acrylic, lacquer, calcium carbonate
- Adhesive label, tapes and patches
- PVDC
- Protective films
- Pigments

Textile coating measurement



- PVC
- Silicon, latex
- Neopren, leather

Metal foil coating measurement



- Wax, oil, polymer, lacquer
- Adhesive, magnesia
- Steel, copper, aluminium, foil

Paper coating measurement



- Thermal coating, adhesive coating
- PVDC coating



CONVERTING, EXTRUSION AND PAPER INDUSTRIES APPLICATIONS

To enhance the converting, extrusion and paper industries process control by using on-line measurement high product quality.



EDIT NIR

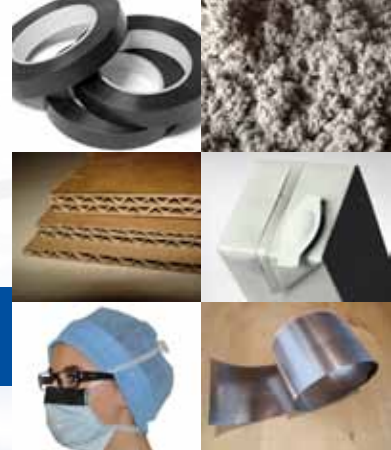
A range of fast, accurate and easy on-line NIR measurement gauges, produced and promoted worldwide by EDIT for more than 30 years.

EDIT sells to the converting, extrusion and paper industries, **EDIT NIR**, a full range of on-line NIR Analysers.

Because the converting, extrusion and paper industries are most of time dependant on high quality production control, **EDIT NIR** on-line analysers are the perfect solution to provide accurate, reliable and repeatable coat weight, moisture, glue and coating thickness measurement to optimize the production results.

EDIT NIR on-line analysers can be used in almost all converting, extrusion and paper processing, no matter what the product to ensure that product quality, process yield and profitability are maximised.

Mounted either on a fixed point or as a scanning system with a traveling device, **EDIT NIR** on-line analysers provide a simple, accurate, easy to use and cost effective solution to converting processes.



Measurement of

- Coat weight
- Moisture
- Glue and coating thickness

Processing of

- Paper
- Corrugated board
- Film and foils
- Flexible packaging
- Flooring material
- Labelstock and tapes
- Adhesive calendaring
- Films extrusion
- Nonwoven & textile



EDIT is a FRENCH company, specialising for more than 30 years, in design and manufacturing of measuring devices for industry.

EDIT supplies annually several hundred infrared and microwave devices to industrial customers all around the world, so they can simply and reliably control their process.

EDIT invests every year in human and material resources to guarantee his international customers the same quality product innovation and reliability of results.

EDIT is an active member of numerous technological clusters, and is recognized as an innovative company in the market.

EDIT FRANCE

ZI. rue Thomas Edison
33600 PESSAC
France
Tel : 0033 (0) 557 261 713

EDIT CHINA

EDIT PROCESS CONTROL
ENGINEERING CO., LTD
B-601, Appt 4, SISPARK, 328 Xinghu Road
Suzhou Industrial Park, Chine
Tel : 0086-(0)512-62791055

www.edit-laser.com
info@edit-laser.com